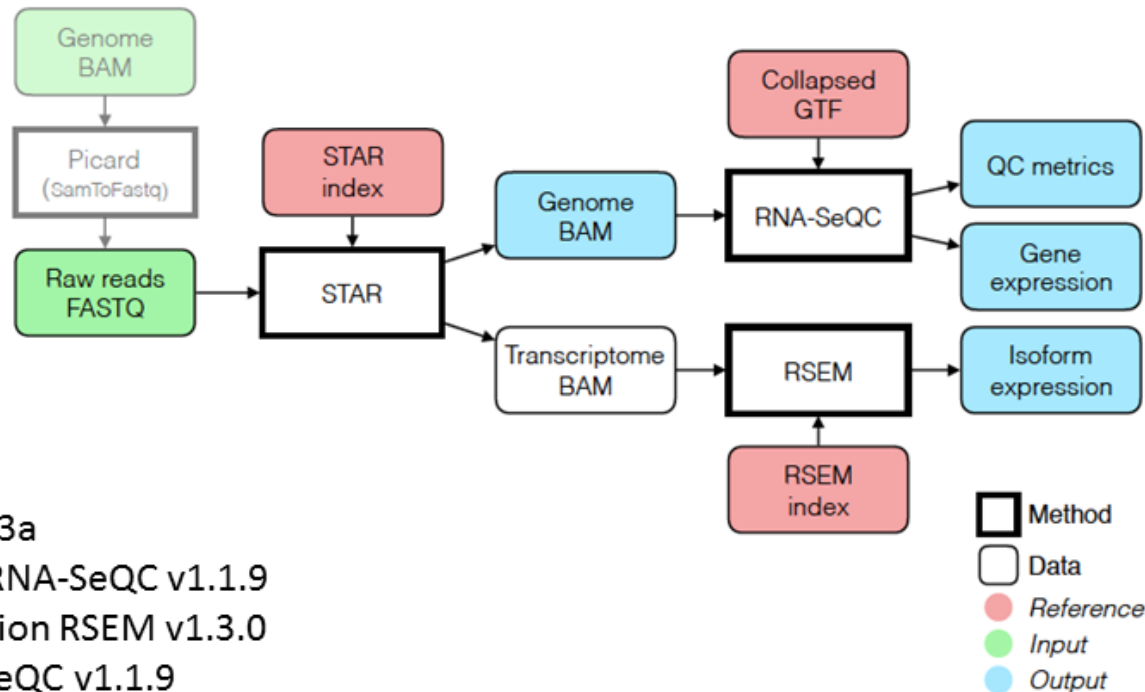


# TOPMed MESA Pilot RNA-seq Pipeline

*Enhanced GTEx pipeline using GRC38 reference*



- Aligner STAR v2.5.3a
- Gene expression RNA-SeQC v1.1.9
- Transcript expression RSEM v1.3.0
- QC metrics RNA-SeQC v1.1.9
- GENCODE 26 annotation